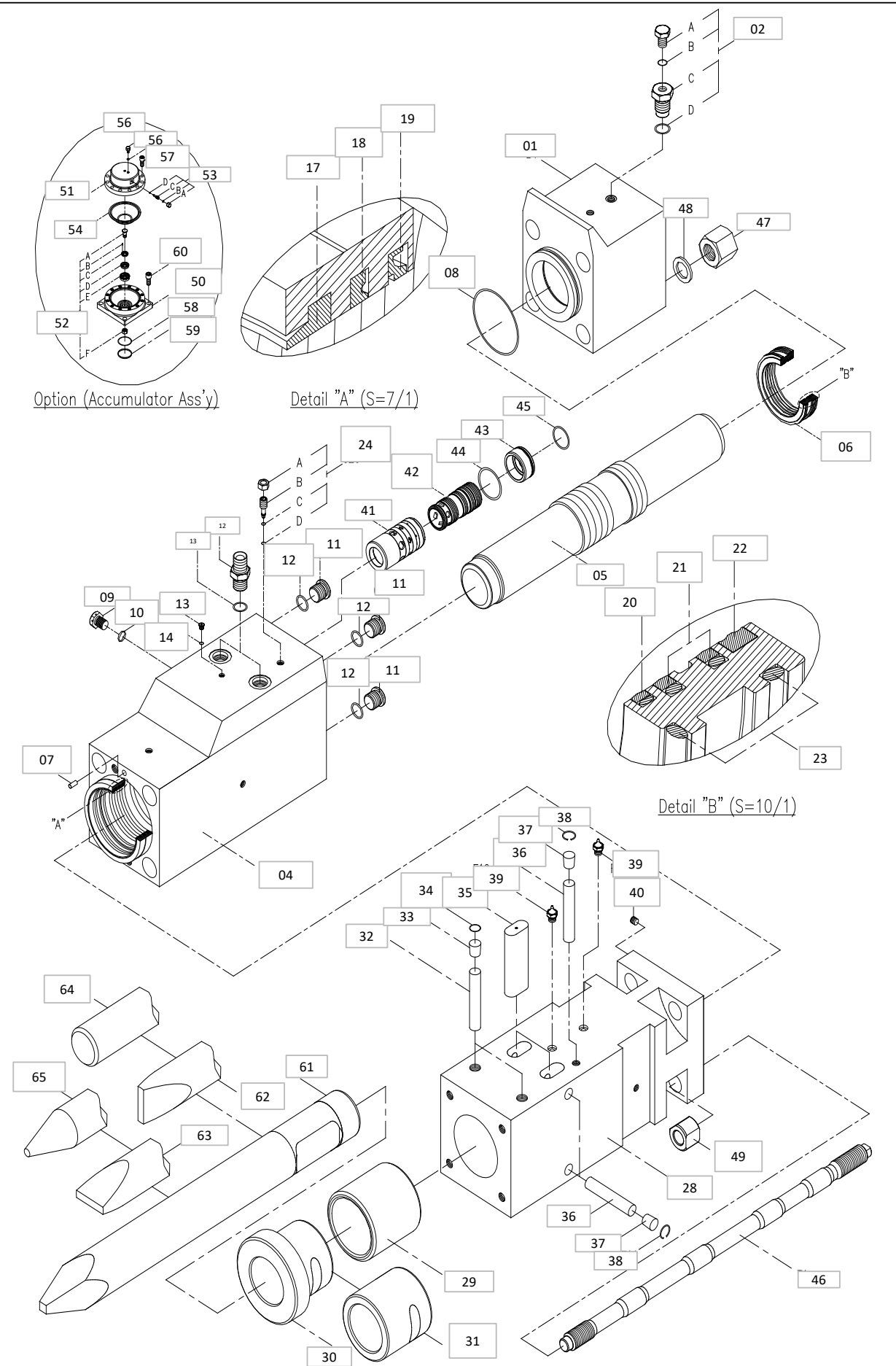


Odin 4200 MAIN BODY ASSEMBLY

NO.	DESCRIPTION		PARTS NUMBER	QTY	REMARKS
	MAIN BODY ASS'Y			1	
	BACK HEAD ASS'Y			1	
	CYLINDER ASS'Y			1	
	FRONT HEAD ASS'Y			1	
	CONTROL VALVE ASS'Y			1	
	THROUGH BOLT ASS'Y			1	
	ACCUMULATOR ASS'Y			1	
	CHISEL			1	
	SEAL KIT			1	
NO.	PARTS DESCRIPTION	PART NAME	PARTS NUMBER	QTY	REMARKS
01	BACK HEAD ASS'Y	BACK HEAD	O-4200-01	1	
02		GAS CHARGING VALVE ASS'Y	O-4200-02	1	
02A		GAS CHARGING PLUG	O-4200-02A	1	
02B		O-RING	O-4200-02B	1	
02C		GAS CHARGING VALVE	O-4200-02C	1	
02D		O-RING	O-4200-02D	1	
03		O-RING	O-4200-03	1	
04	CYLINDER ASS'Y	CYLINDER	O-4200-04	1	
05		PISTON	O-4200-05	1	
06		CYLINDER BUSHING	O-4200-06	1	
07		LOCK PIN	O-4200-07	2	
09		AIR VENT VALVE	O-4200-09	1	
10		O-RING	O-4200-10	1	
11		PLUG	O-4200-11	3	
12		O-RING	O-4200-12	3	
15		NIPPLE	O-4200-15	2	
16		O-RING	O-4200-16	2	
13		PLUG (AUTO GREASE)	O-4200-13	1	
14		O-RING	O-4200-14	1	
17		DUST SEAL	O-4200-17	1	
18		U-PACKING	O-4200-18	1	
19		BUFFER SEAL	O-4200-19	1	
20		BUFFER RING	O-4200-20	1	
21		STEP SEAL	O-4200-21	2	
22		GAS SEAL	O-4200-22	1	
23		O-RING	O-4200-23	2	
24		VALVE ADJUSTER ASS'Y	O-4200-24	1	
24A		VALVE ADJUSTER NUT	O-4200-24A		
24B		VALVE ADJUSTER	O-4200-24B		
24D		O-RING	O-4200-24D	1	
24C	BACK UP RING	O-4200-24C	1		
28	FRONT HEAD ASS'Y	FRONT HEAD	O-4200-28	1	
29		CHISEL BUSHING	O-4200-29	1	
30		FRONT BUSHING (TOP TYPE)	O-4200-30	1	
31		FRONT BUSHING (SILENCE TYPE)	O-4200-31	1	
32		FRONT BUSHING PIN	O-4200-32	2	
33		RUBBER PLUG	O-4200-33	2	
34		R SNAP RING	O-4200-34	2	

35		CHISEL PIN (NEW)	O-4200-35	2	
		CHISEL PIN (OLD)	O-4200-35	2	
NO.	PARTS DESCRIPTION	PART NAME	PARTS NUMBER	QTY	REMARKS
36	FRONT HEAD ASS'Y	BUSHING STOP PIN	O-4200-36	3	
37		RUBBER PLUG	O-4200-37	3	
38		R SNAP RING	O-4200-38	3	
39		GREASE NIPPLE	O-4200-39	2	
40		TAPER PLUG	O-4200-40	1	
41	CONTROL VALVE ASS'Y	VALVE BUSH	O-4200-41	1	
42		MAIN VALVE	O-4200-42	1	
43		VALVE CAP	O-4200-43	1	
44		O-RING	O-4200-44	1	
45		O-RING	O-4200-45	1	
46	THROUGH BOLT ASS'Y	THROUGH BOLT	O-4200-46	4	
47		BACK HEAD NUT	O-4200-47	4	
48		BACK HEAD WASHER	O-4200-48	4	
49		FRONT HEAD NUT	O-4200-49	4	
50	ACCUMULATOR ASS'Y	ACCUMULATOR BODY	O-4200-50	1	
51		ACCUMULATOR COVER	O-4200-51	1	
52		POPPET VALVE ASS'Y	O-4200-52	1	
52A		SHAFT	O-4200-52A	1	
52B		PIN	O-4200-52B	1	
52C		POPPET VALVE - A	O-4200-52C	1	
52D		POPPET VALVE - B	O-4200-52D	1	
52E		POPPET VALVE - C	O-4200-52E	1	
52F		NUT	O-4200-52F	1	
53		NEEDLE VALVE ASS'Y	O-4200-53	1	
53A		CAP NUT	O-4200-53A	1	
53B		O-RING	O-4200-53B	1	
53C		NEEDLE VALVE	O-4200-53C	1	
53D		O-RING	O-4200-53D	1	
54		DIAPHRAGM	O-4200-54	1	
55		ACCUMULATOR PLUG	O-4200-55	1	
56	O-RING	O-4200-56	1		
57	WRENCH BOLT	O-4200-57	12		
58	O-RING	O-4200-58	1		
59	BACK UP RING	O-4200-59	1		
60	WRENCH BOLT	O-4200-60	4		
61	CHISEL	MOIL TYPE	O-4200-61	1	
62		FLAT WEDGE - VERTICAL	O-4200-62	1	
63		FLAT WEDGE - HORIZONTAL	O-4200-63	1	
64		BLUNT TYPE	O-4200-64	1	
65		CONICAL TYPE	O-4200-65	1	



Option (Accumulator Ass'y)

Detail "A" (S=7/1)

Detail "B" (S=10/1)